



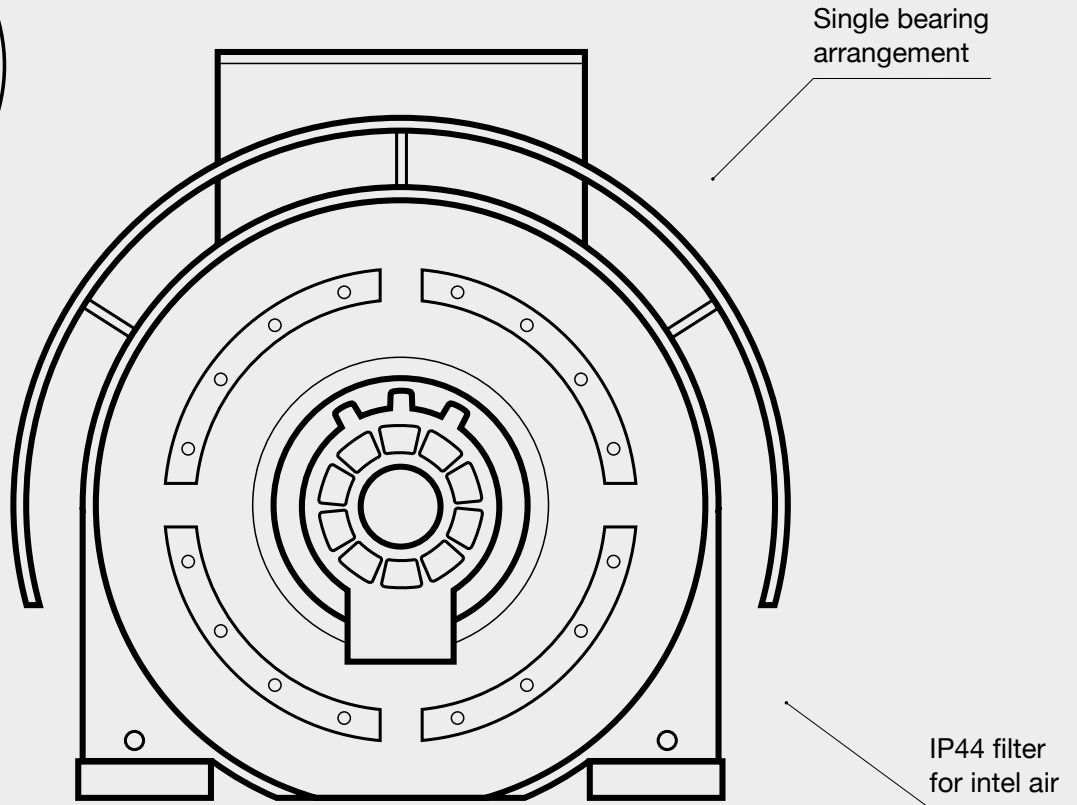
Gamesa Electric

GenSet MV56/63

Efficiency, reliability
and maximum flexibility



Flexible design with a full range of options



SAE flange adaptor




Single bearing arrangement

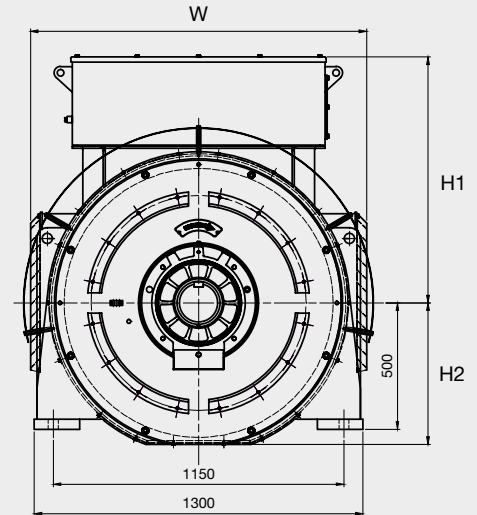
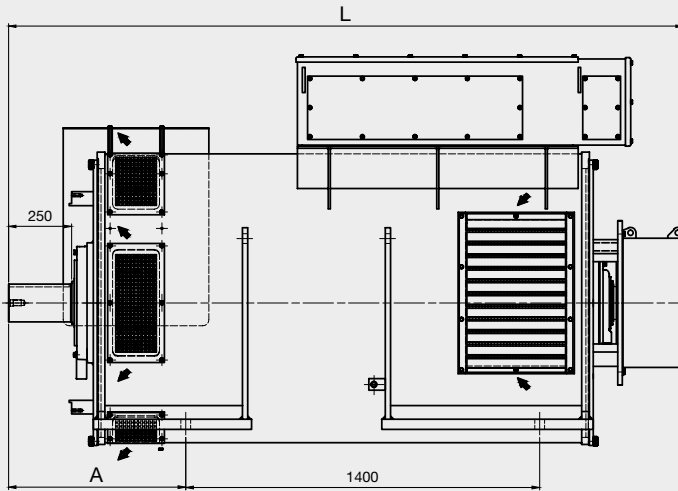
CACA or CWCA cooling solutions

IP44 filter for intel air

Gamesa Electric GenSet MV56/63

Efficiency, reliability and maximum flexibility

 <p>Experienced partner</p>	<p>Manufacturing centre in Spain with highest standards of quality for serial mass production</p>	<p>85 years of experience developing electric solutions</p>	<p>100% subsidiary of Siemens Gamesa Renewable Energy, a global leader in wind solutions</p>
 <p>Harsh environments</p>	<p>Up to 55°C operating temperature and for even harsher environments, ad-hoc cooling solutions</p>	<p>IP44 inlet filters available as option</p>	<p>Operate up to 2.500m asl</p>
 <p>Client oriented</p>	<p>Backoffice available 24 hours a day that provides quick responses in the offer phase</p>	<p>A strong engineering design team and flexible production processes allow products to be 100% adapted to the customer's needs</p>	<p>Conform to any international standards</p>



Reference	L	W	H1	H2	A
GenSet MV56 (XS-S-M)	2670,5	1330	973	560	701
GenSet MV56 (L-XL)	2876,5	1330	973	560	701
GenSet MV63 (XS-S-M)	2670,5	1372	1023	600	730
GenSet MV63 (L-XML-XL)	2876,5	1372	1023	600	730

Selection guide

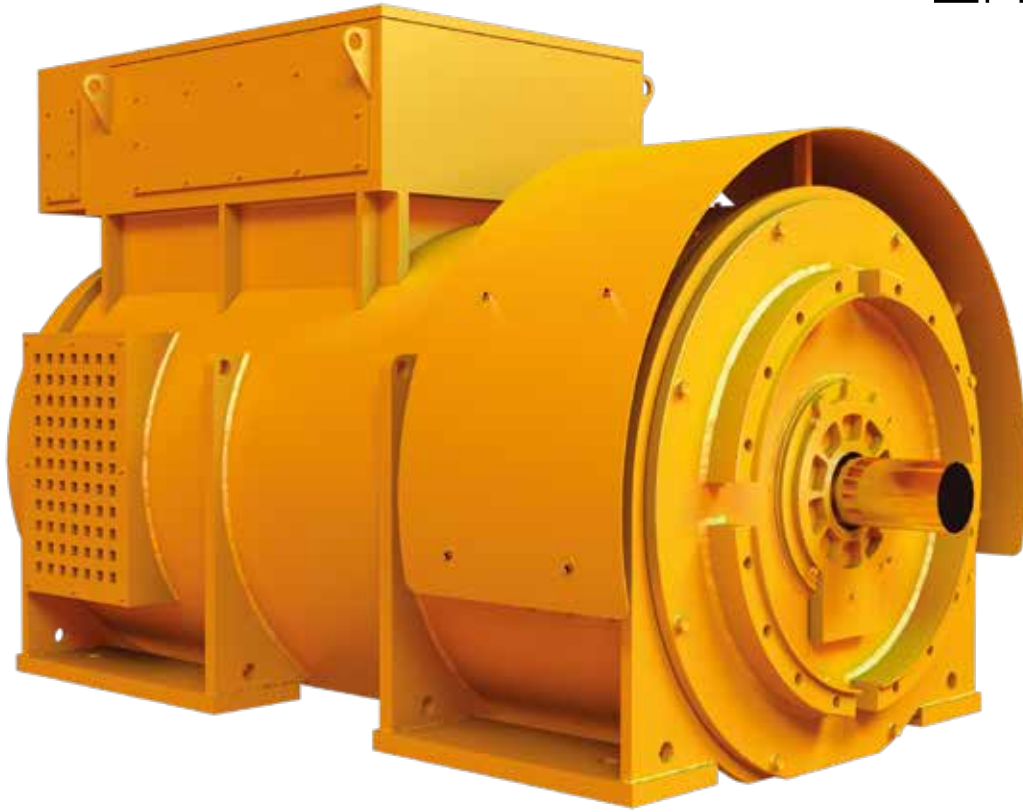
Medium voltage 3.3 / 4.1 kV 6 / 6.3 kV

	Power (kVA)					
	1500 rpm - 50 Hz			1800 rpm - 60 Hz		
	Continuous duty		Stand by	Continuous duty		Stand by
	Temp Rise (K) / Temp Ambient (°C)					
	125 K / 40°C	105 K / 40°C	150 K / 40°C	125 K / 40°C	105 K / 40°C	150 K / 40°C
GenSet MV56 XS	2150	1950	2250	2350	2150	2450
GenSet MV56 S	2450	2300	2650	2850	2600	2950
GenSet MV56 M	2850	2600	3000	3150	2850	3300
GenSet MV56 L	3300	3050	3500	3650	3400	3800
GenSet MV56 XL	3900	3400	4200			

High voltage 11 / 13.8 kV

	Power (kVA)					
	1500 rpm - 50 Hz			1800 rpm - 60 Hz		
	Continuous duty		Stand by	Continuous duty		Stand by
	Temp Rise (K) / Temp Ambient (°C)					
	105 K / 40°C	80 K / 40°C	130 K / 40°C	105 K / 40°C	80 K / 40°C	130 K / 40°C
GenSet MV63 XS	2150	2000	2300	2350	2200	2600
GenSet MV63 S	2450	2200	2650	2750	2550	3000
GenSet MV63 M	2800	2500	3000	3200	2950	3450
GenSet MV63 L	3300	2850	3550	3700	3250	4000
GenSet MV63 XML	3650	3200	3950			
GenSet MV63 XL	3950	3400	4250			

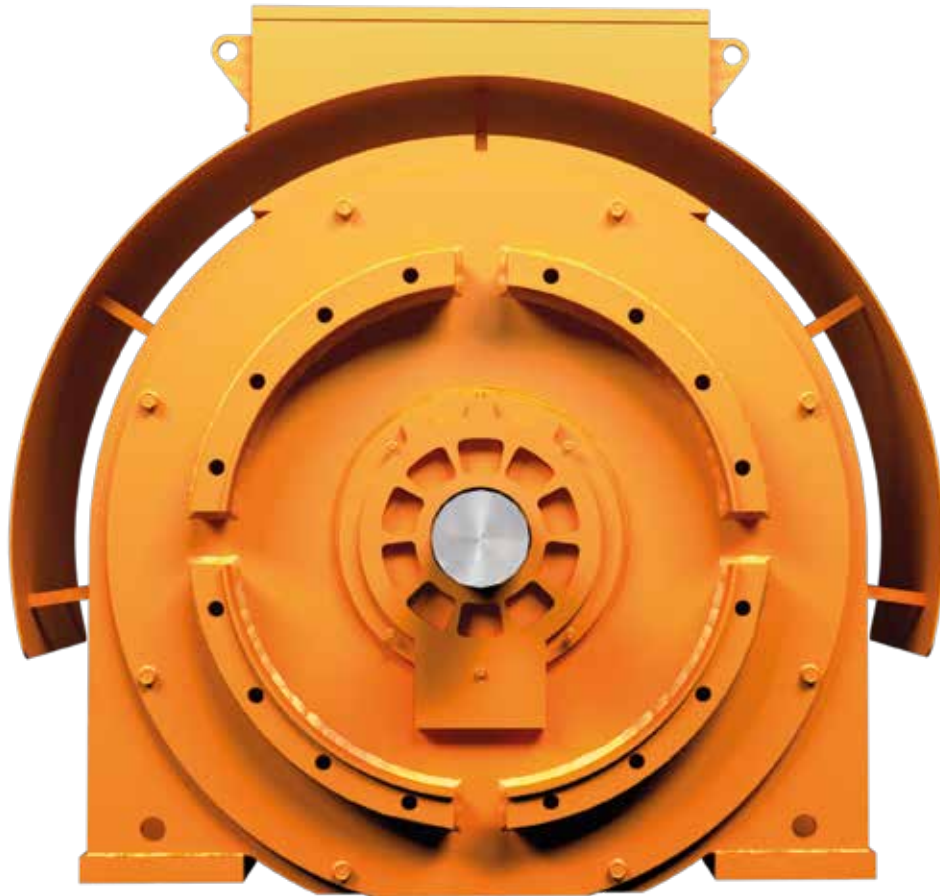
Shaping New Energy



Specifications

Voltage Range	3.3 / 4.1 kV 6 / 6.3 kV	11 / 13.8 kV
Material Insulation Class	H	F
Insulation System	Vacuum Pressure Impregnation	
Poles	4	
Techology	Bar Wound	
AVR	Digital	
Voltage sensing	3-Phase	
Bearing Arrangement	Double	
Terminals	6	
Rotation	Clockwise	
Excitation System	Brushless and PMG	
Ingress Protection	IP23	
Temperature monitoring	Winding RTDs	
Cooling method	IC01 open ventilated	
Connection with other machines	Paralleling capability	
Mounting	Raised legs IM1101	
Environmental protection	Anti-condensation Heaters	
Painting	RAL 5003	
Altitude	1000 m	

Robust design for highest reliability



Cylindrical outer core frame made of mechanically welded steel with raised legs IM1101 and steel shields. Its compact construction guarantees the greater rigidity and resistance of the generator against mechanical stresses.

Generator shields designed to withstand axial and radial mechanical stresses and high vibration values. The shields could include a SAE flange adaptor on demand.

Double bearing design equipped as standard with two ball bearings.



GamesaElectric

Shaping new energy



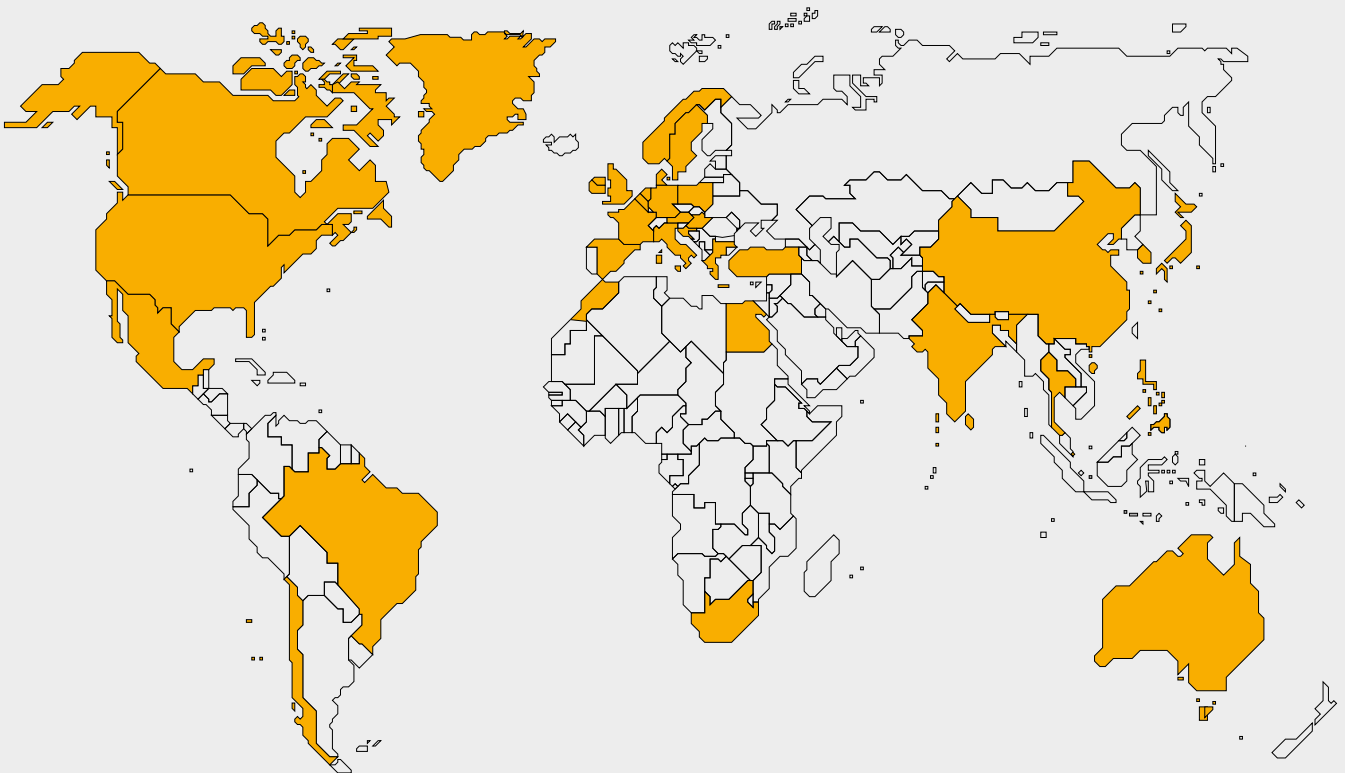
+85 years
OF EXPERIENCE



100%
SIEMENS GAMESA
RENEWABLE ENERGY



+90
COUNTRIES



**Worldwide
presence**

Australia
Austria
Belgium
Brazil
Canada

Chile
China
Croatia
Denmark
Egypt

France
Germany
Greece
Hong Kong
Hungary

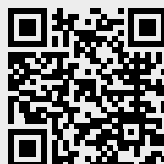
India
Ireland
Italy
Japan
Korea

Mexico
Morocco
Netherlands
Norway
Philippines

Poland
Singapore
South Africa
Sri Lanka
Sweden

Thailand
Turkey
UK
USA

Gamesa Electric
Calle del Mar Mediterráneo, 14-16
28830 San Fernando de Henares (Madrid)
Tel: +34 91 655 70 34
gamesaelectric@gamesacorp.com
www.gamesaelectric.com



In order to minimize the environmental impact, this document has been printed on paper made from 50% pure cellulose fiber (ECF), 40% selected pre-consumer recycled fiber, and 10% post-consumer deinked recycled fiber inks based exclusively on vegetable oils with a minimum volatile organic compound (VOC) content. Varnish based predominantly on natural and renewable raw materials.

The present document, its content, its annexes and/or amendments has been drawn up by Siemens Gamesa Renewable Energy for information purposes only and could be modified without prior notice. All the content of the Document is protected by intellectual and industrial property rights owned by Siemens Gamesa Renewable Energy. The addressee shall not reproduce any of the information, neither totally nor partially.